

# Simple Operation and Professional Cutting Quality.

More Capacity & More Safety.



## Automatic Roll Sushi Cutter SVC-ATC



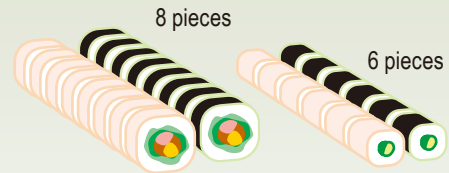
SVC-ATC-ET



SVC-ATC-CE



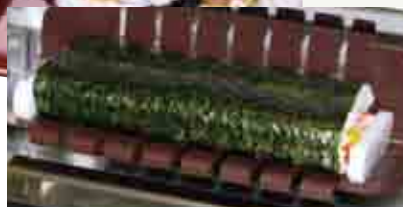
- Easy setting & cleaning
- Easy cutting blade replacement
- Safety sensor for Front Cover
- Maximum 60mm diameter roll cut



Standard cutting unit are either 180mm-6pieces or 180mm-8pieces.



4 hosomaki (small roll) can be set on cutting table : 2,200 rolls / hr



2 medium size rolls : 1,100 rolls / hr



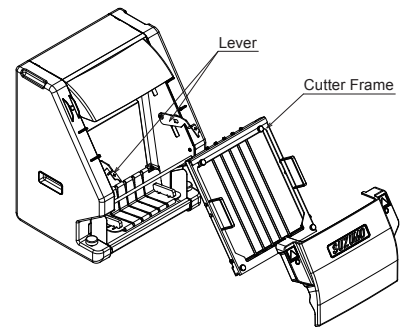
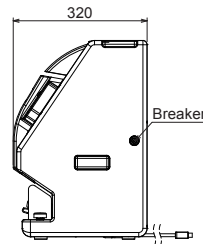
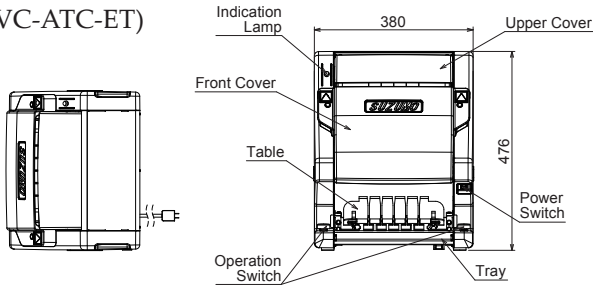
1 large size rice outside roll : 550 rolls / hr

# Automatic Roll Sushi Cutter SVC-ATC

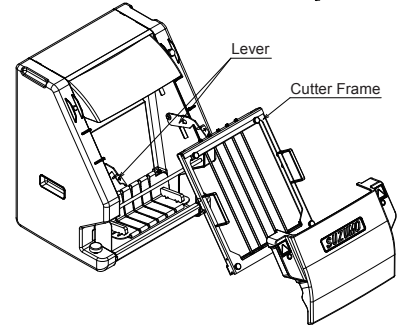
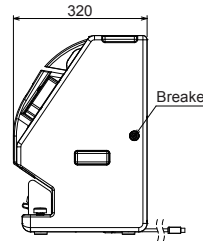
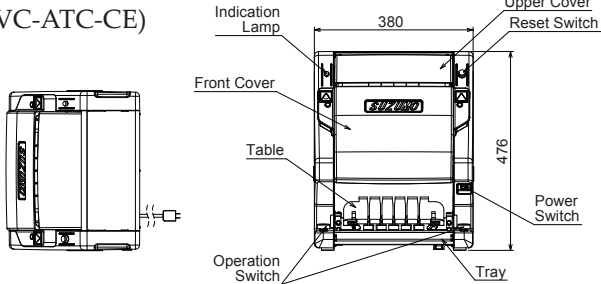
Unit: mm

## ■ Dimensions

(SVC-ATC-ET)



(SVC-ATC-CE)



## ■ Features

- Designed for safe operation and easy cleaning.
- Cutting unit can be designed as custom order basis. Standard cutting unit is either 180mm-6 pieces or 180mm-8 pieces.
- Wider cutting table can be set 3pieces of small rolls (*Hosomaki*) and cut at one time.
- Compact and lightweight design enables you to carry the machine wherever you wish.

## ■ Specifications

### Model

SVC-ATC-ET (Applied to ETL/cETL)  
SVC-ATC-CE (Applied to CE Regulation)

### Input

AC100-240V, 50/60 Hz, Single phase

### Power consumption

140W

### Capacity

Small roll (25mm □): Approx 2,200 rolls / hr (4 rolls at one time)  
Medium roll (35mm□): Approx 1,100 rolls / hr (2 rolls at one time)  
Large roll (46-60mm□): Approx 550 rolls / hr (1 roll at one time)

### Machine dimensions (in mm)

380W×320D×476Hmm

### Weight

Approx. 17Kg (include cutting table & flame)

### Power connection cable

2m (6.56feet)

Plug can be selectable among CE, BF, and UL type

\*Designs and specifications are subject to change without notice.



Suzumo Machinery Co., Ltd.

Overseas Business Division  
2-23-2, Toyotamakita, Nerima-ku,  
Tokyo 176-0012, Japan  
Tel. +81 3-3993-1407  
Fax. +81 3-3993-1756  
e-mail overseas@suzumo.co.jp  
URL http://www.suzumokikou.com

< Contact in North America >

Suzumo International Corporation

1815 W. 205th Street, Suite 101  
Torrance, CA 90501, U.S.A.  
Tel. +1 310-328-0400  
Fax. +1 310-328-2700  
e-mail sic@suzumokikou.com